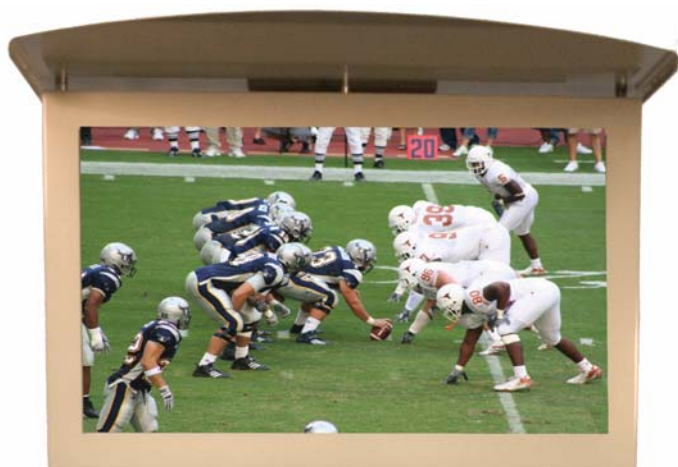




SERIES

OHD-LE420W

42" Water Tight Sun Light Readable HDTV's



Water Tight LCD HD Panels
Welcome to Your new
Entertainment Room!

OutdoorHDTV is the ultimate outdoor entertainment accessory. It is a High Definition, daylight viewable LCD monitor. It brings traditional indoor activities to the great outdoors. OutdoorHDTV brings High Definition right into your backyard and creates an entirely new entertainment room.

Soak in the hot tub while watching a romantic movie, watch the big game with your buddies while barbequing and not missing a minute of the action, enjoy family time as you relax under the stars while enjoying your OutdoorHDTV. The list is endless of the applications for the OutdoorHDTV.

OutdoorHDTV is the first commercial grade, all weather, High Definition 1080p daylight viewable LCD screen. Models include our Air Cooled T1 unit with an operating temperature range of 32°-122° F and our T2 model with an operating range of -24°-122°F with an integrated heater. The T2 option is for freezing temperature ranges and conditions. With this option, lower storage temperature ranges can also be achieved when the unit is left plugged in.

Please refer to our DSS line for our other commercial line of products to meet requirements that are more demanding.

DSS.DITHD.com

Standard Definition and High Definition input signals include: HDMI with Audio, HD/SD component (YPbPr, VGA, S-Video and composite).

Features

Enclosure:

- All Weather
- All Aluminum Construction
- Wall & Pole Mountable

Display:

- Solar Enhanced Daylight Viewable with Optional Optically Bonded Lens
- 42" Diagonal Active Matrix TFT LCD Display
- Full High Definition 1080p Panel
- 178° / 178° wide viewing Angle
- 1000:1 Contrast Ratio
- 500 NITS Brightness
- On Screen Display (OSD) Monitor Controls with wireless remote

Video Inputs:

- HDMI with Audio, HD component, VGA, S-Video and Composite - Supports all Major Video Formats

Other Features:

- The OHD-LE420W comes standard with T1 Cooling which boasts a wide operating temperature range from 32° - 122°F.
- Built in Audio amplifier

Options:

- Wall & Pole Mounting Equipment
- Optional 4mm Lens with laminated IR filter and Optically Bonded for Daylight Readability
- Optional T2 Model with Heating (Operating range of -24°-122°F ambient temperature)

Please refer to our DSS line of products for other commercial products (LCD Sizes from 22" - 82"+) and more demanding temperature specifications.

Please feel free to consult with a Sales Engineer for additional information or visit our web site.



Pole Mounted



Wall Mounted



OutdoorHDTV
1330 Specialty Dr, Suite A
Vista, CA, 92081
Phone 760.599.9225
Fax 760.454.0328

www.OutdoorHDTV.com
Sales@OutdoorHDTV.com

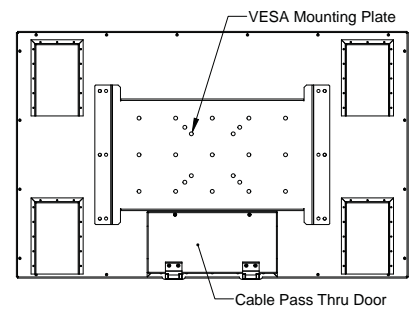
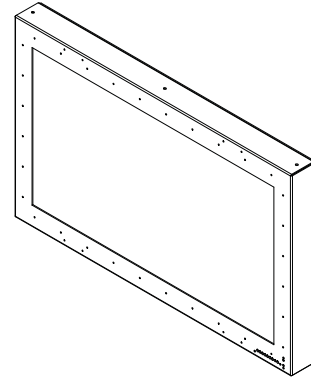
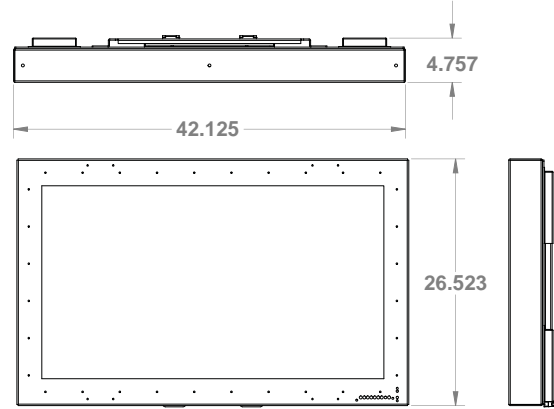




SERIES OHD-LE420W

Secure High Definition 42" LCD Water Tight Panel

<u>OHD-LE420W:</u>	
<u>Display:</u>	
Display Type	FHD, Color TFT, EEFL Backlight
Screen Diagonal	1067.31(42.02)
Aspect Ratio	16:9
Native Resolution	1920x1080
Display Colors	16.7M (8 Bit)
Brightness (Nits cd/m2)	500
Contrast Ratio	1000:1
Response Time (ms)	5ms
Surface Treatment	Hard Coat (3H) Anti Glare Treatment
Viewing Angle	89/89/89/89
<u>Video Controller:</u>	
Video Inputs and Ports	VGA, HDMI(2), YPbPr/YCbCr(2), S-Video, CVS, ATSC/NTSC Tuner, Full Featured RS232 Controllable Port, Audio In and Amplified Speakers Out
Video Input Resolutions and Format Supported	480i, 480p, 576i, 576p, 720p, 1080i, 1080p
On Screen Adjustments	Full featured OSD Controls, IR Remote Control and RS-232 full-featured command set with discrete on/off, input select and volume control
Power Management	VESA Power Management
<u>Power:</u>	
Input Voltage	120V, 60HZ
Power Consumption	400W
<u>Misc:</u>	
Temp Operating (Deg C/F)	0 to +50 Deg C / 32 to 122 Deg F
Temp Storage (Deg C/F)	-20 to +60 Deg C / -4 to 140 Deg F
Weight (lbs)	100
Audio	-Input: Left and Right (RCA Jacks), PC 3.5mm Mini Earphone Jack -Output: 10-watt x 2 channels Speaker Terminals, Coaxial SPDIF Audio output



Optional Accessories:

OHD-WMXX	Articulating wall mount with tilt and swivel, arm and pan. Dual arm. XX for Monitor Size articulation extends to 21". Customized to fit--includes stainless steel and/or zinc-plated hardware.	OHD - T2	Optional T2 for freezing temperature ranges and conditions. With this option, lower storage temperature ranges can be achieved when the unit is left plugged in.
OHD-WMXXNA	Wall mount with tilt--non articulating. Customized to fit--includes stainless steel and/or zinc-plated hardware.	HDMI-C25	HDMI Cable - 25M
OHD-CMXXA12	Ceiling mount with tilt and swivel. Includes adjustable extension column provides up to 6" above unit to ceiling in 1" increments without disassembly, and 4" x 4" designer ceiling plate. Meets VESA standards.	HDMI-C50	HDMI Cable - 50M
OHD-DCXX	OutdoorHDTV dust cover 22" - 65"	HDMI-C80	HDMI Cable - 80M
HDMI-TW10	HDMI over Ultra Wide Band Wireless (10M)	HDMI-CRC	HDMI Re Clocker
HDMI-TC100	HDMI over Single Coaxial (100M)	LIR4420	4mm Lens with laminated IR filter and Optically Bonded for Daylight Readability